

• Ice Cream Freezer •

Economical Size and Design

* **Low Emissivity Glass**
No condensation on the glass- energy consumption limited

* **Economical & Convenient**



TGF-9F



TGF-13F



Model	Slide Doors	HP	AMPS	Weight	L D H	List Price
TGF-9F	1	1/4	6.0	185	44.3x27.4x39.4	2,253.85
TGF-13F	2	1/3	11.0	253	61.1x27.4x39.4	3,155.82

CABINET INTERIOR/EXTERIOR SPECIFICATIONS

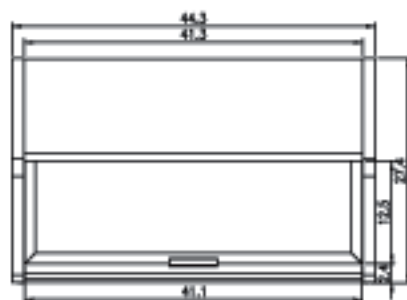
MODEL	TGF-9F	TGF-13F
Exterior Dimensions	44.3x27.4x39.4	61.1x27.4x39.4
Power	115V/60Hz	115V/60Hz
Amp	6 A	11 A
Comp.	1/4HP	1/3HP
Slide Doors	1EA	2EA
Weight	185lbs	253lbs
Cubic Feet	8.5	13.3
Cord Length	9.85 feet	9.85feet
Plug-in	NEMA 5-15P	NEMA 5-15P

*Design and specifications can be changed without prior notice for product improvement.

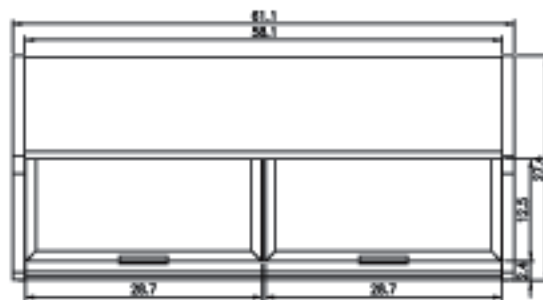
* Holds 38°F~ 45°F

* Foamed with polyurethane, high-density cell insulation (CFC free)

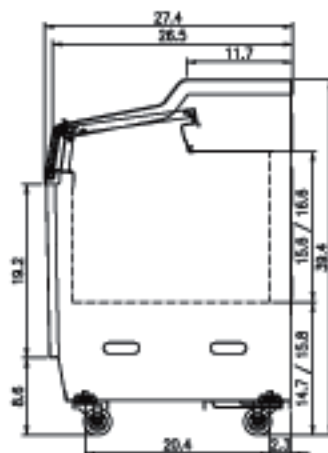
(UNIT : INCH)



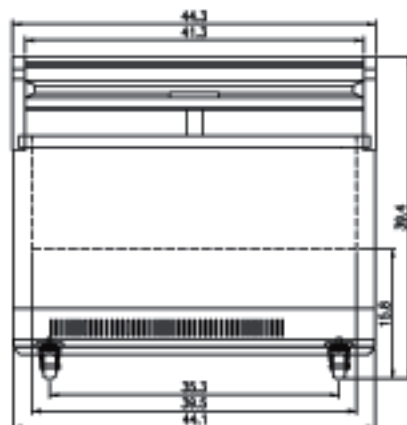
TGM-9F PLAN VIEW



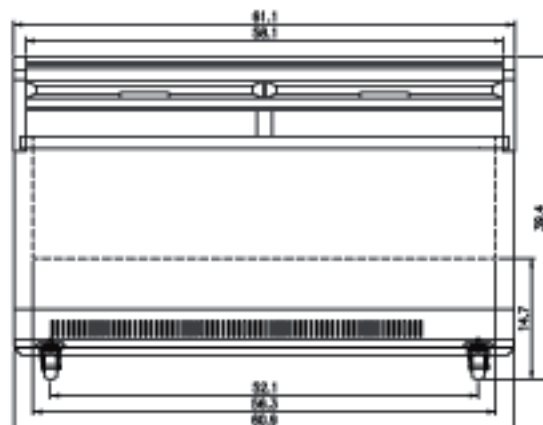
TGM-13F PLAN VIEW



SIDE VIEW



TGF-9F FRONT VIEW



TGF-13F FRONT VIEW