

Microwave Oven

* FEATURES / BENEFITS

- Commercial durability
- Commercial styling
- Programmable touch control
- Stirrer type for cooking method
- Easy-to-clean flat bottom
- 4 Power levels for cooking versatility
- Up to 60 minutes of cooking time
- Easy-to-read VFD display
- Double quantity pad (*2)
- Time & weight defrost
- Child safety lock
- Energy save function
- All stainless steel interior & exterior for hygiene & durability
- Program list review: allows users to review all current programs
- Easy cook function: the most simplified one touch cook from 30 sec. to 5 min.

TMW-1100E



List Price: \$629.00

- Cooking complete alarm
- Variable beep tone (mute mode available)

* FEATURES / BENEFITS

- Commercial durability
- Commercial styling
- Stirrer type for cooking method
- Easy-to-clean flat bottom
- Up to 10 minutes of cooking time
- Time defrost
- Cooking complete alarm
- 5 Power levels for cooking versatility
- All stainless steel interior & exterior for hygiene & durability

TMW-1100M

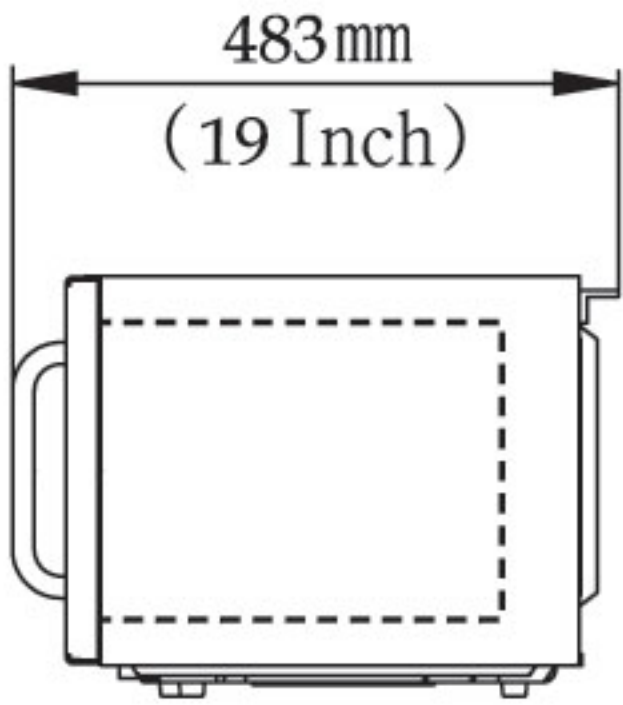
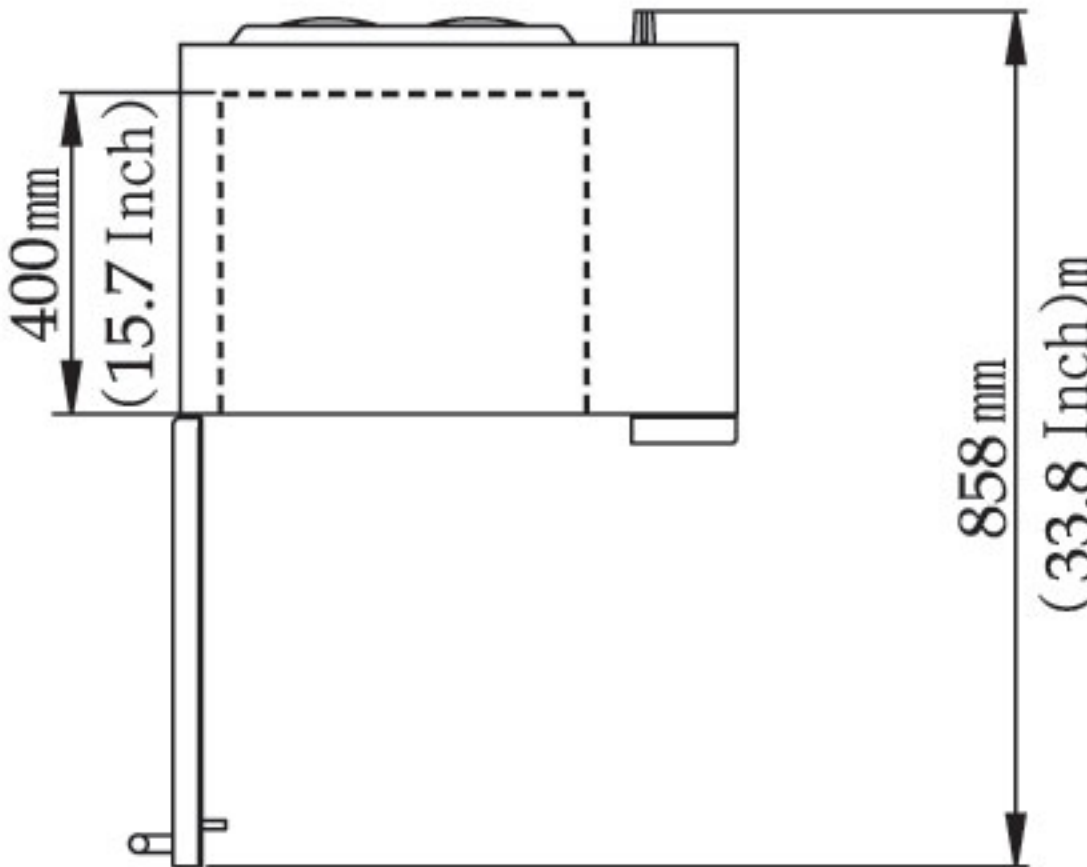
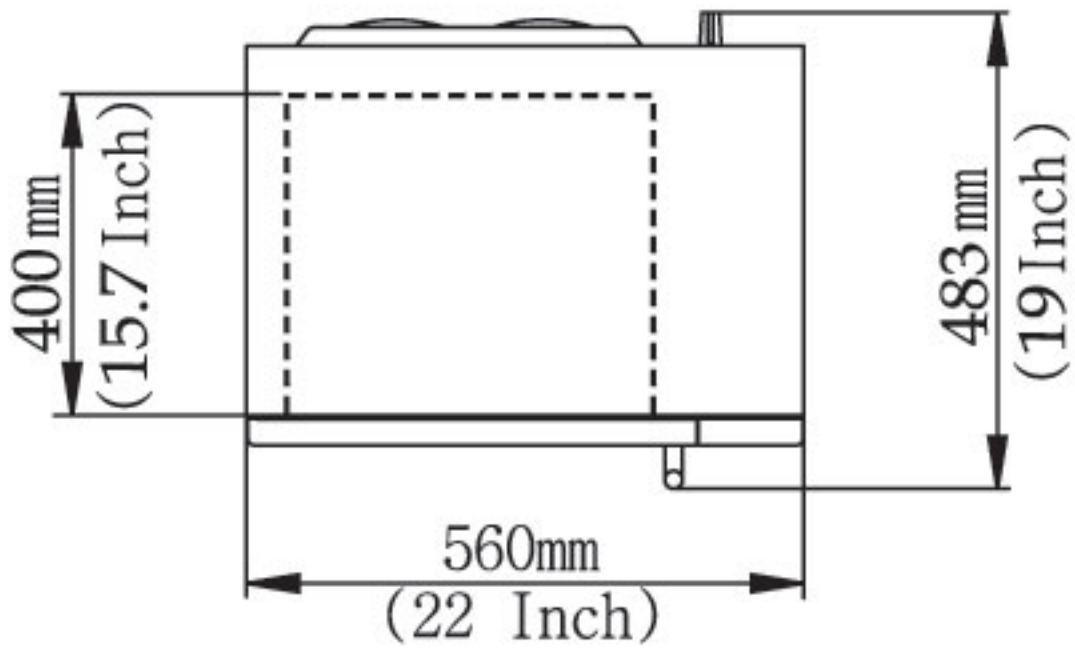


List Price: \$558.00



MODEL		TMW-1100E	TMW-1100M
Cavity volume		1.2cu.ft	1.2cu.ft
Microwave	Power output	1,100W	1,100W
Dimensions(LxDxH)	Cavity	14.5x15.7x8.7 inch	14.5x15.7x8.7 inch
	Unit	22.0x19.0x13.5 inch	22.0x19.0x13.5 inch
	Carton	24.6x19.8x14.6 inch	24.6x19.8x14.6 inch
Net Weight		36.3 lbs	36.3 lbs
Stuffing Q'ty		240sets/20ft	240sets/20ft
		492sets/40ft	492sets/40ft

*Design and specifications can be changed without prior notice for product improvement.



TMW-1100M VIEW

TMW-1100E VIEW

